



# 7300w<sup>2</sup> Monitor

## Monitor for the WaterWatch<sup>2</sup> Range

PRODUCT DATASHEET

### KEY FEATURES

Multisensor  
Multiparameter  
Graphic Display with 24hr Trending  
Datalogging  
4-20mA and Relay Outputs  
Modbus RTU/RS485 Communications  
Profibus DP Communications  
90-264VAC or 9-36VDC Power Supply

### COMPATIBLE SENSORS

TurbiTech<sup>2</sup> LA  
TurbiTech<sup>2</sup> LS  
TurbiTech<sup>2</sup> HR  
TurbiTech<sup>2</sup> LR  
OilTech<sup>2</sup> FLT  
OxyTech<sup>2</sup> RDO Pro-X  
OxyTech<sup>2</sup> GAL  
WaterTech<sup>2</sup> pH8000  
WaterTech<sup>2</sup> Redox8000  
WaterTech<sup>2</sup> C4E  
ColiTech<sup>2</sup>  
UVT-LED  
SoliTech<sup>2</sup> IL  
WaterTech<sup>2</sup> TMP



The 7300w<sup>2</sup> Monitor is the core product in the WaterWatch<sup>2</sup> range, designed to interface with all the sensors in the WaterWatch<sup>2</sup> range. It provides all the connections required for 1 or 2 sensors, systems can be created by the use of expansion boxes to include multiple sensors. By allowing the user to connect a variety of sensors to just one monitor and with the option for a single MODBUS or PROFIBUS output cable, the 7300w<sup>2</sup> greatly reduces installation costs, setup complexity and equipment configuration.

DO, MLSS, & ORP or pH sensors in an aeration lane or Turbidity, pH & temperature at the final effluent point are just 2 examples of where the 7300w<sup>2</sup> can save a user over 60% compared with a separate monitor for each sensor. The 7300w<sup>2</sup> network can be expanded so additional measurement points can be added at a later date.

In both terms of software and hardware, the 7300w<sup>2</sup> has been designed with the user in mind:

- Easy to read LCD display, visible even in direct sunlight
- Large touch buttons with feedback for use with gloves
- Intuitive menu structure to allow for minimal training and setup
- Automatically register and sets up sensors when connected

The 7300w<sup>2</sup> contains an inbuilt trending display, customer configurable, that shows the last 24 hours data for any measurement point on an easy to navigate graph. This can also be downloaded for reporting purposes. An external USB port and data logging function allows users to log and retrieve all stored data for a site in a standard .csv format without the need for specialist SD cards or compatible hardware.

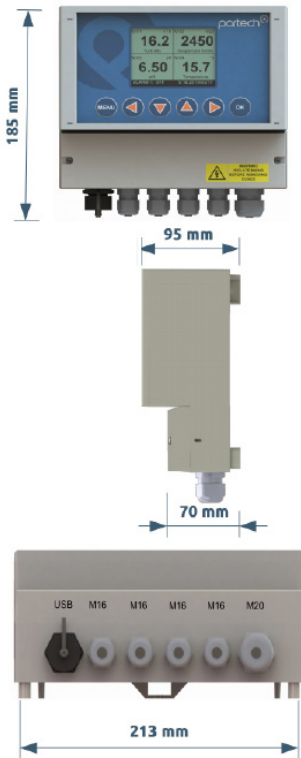
Call us on + 44(0) 1726 879800 [www.partech.co.uk](http://www.partech.co.uk)



# 7300w<sup>2</sup> Monitor

## Monitor for WatchWatch<sup>2</sup> Range

PRODUCT SPECIFICATION



### Order Codes

Part No	Description
223160	7300w <sup>2</sup> Monitor (85-264VAC, 2 x 0/4-20mA Output, 3 x Relay Outputs)
223161	7300w <sup>2</sup> Monitor (9-36VDC, 2 x 0/4-20mA Output, 3 x Relay Outputs)
226974	7300w <sup>2</sup> (85 to 264VAC, MODBUS Slave, 1 Relay output)
226975	7300w <sup>2</sup> (9 to 36VDC, MODBUS Slave, 1 Relay output)
230043	North American Power Cord (UL Approved)

Publication No: 132237DS-Iss17

The company reserves the right to alter the specification without prior notice. E&OE

### Physical

Dimensions 185 x 213 x 95 mm (H x W x D)  
 Weight 1.4 kg  
 Protection Class IP65  
 Enclosure Material Polycarbonate (PC)  
 Cable Entries 1 x M20, 4 x M16, 1 x USB Type A

### Environmental Data

Operating Temperature -20 to +70°C, 0 to 95% Humidity (non-condensing)

### Electrical

Power Supply 85 to 264VAC, 50/60 Hz or 9 to 36VDC  
 Power Rating AC Supply - 0.8 A  
 DC Supply - 30 W

In order to maintain 61010-1 standards a cable of 6-13 mm should be used.

PN 230043 can be supplied with AC versions in order to maintain cMETus approval standards.

### Output/Interfaces

Analogue Outputs

0/4-20mA, max load 750 ohms

Serial Outputs

Modbus RTU/RS485 & Profibus DP (expansion box required for Profibus DP)

Relays

Relay Type SPCO  
 Relay Rating Max 5A @30VDC/230VAC

Auxiliary Connections

Configurable for Remote Input, Device Power

### Sensor Interface

Digital Communications

ModTechw<sup>2</sup> - RS485

### User Interface

Display Graphical LCD, Black on White  
 Backlight On/Off/On after keypress, with user adjustable contrast  
 Keypad 6 Key  
 Trending Display 24 hour trend display - user configurable  
 Datalogging USB port for user memory stick  
 10,000 records limit  
 User configurable intervals 1-999 seconds

### Mounting

Handrail mounting plate  
 Mounting plate with isolator  
 Outer enclosure with isolator

PN223974  
 PN223975  
 PN226786/226787 AC/DC Models

Call us on + 44(0) 1726 879800 [www.partech.co.uk](http://www.partech.co.uk)



Address: Rockhill Business Park, Higher Bugle, St Austell, Cornwall PL26 8RA, UK E: [info@partech.co.uk](mailto:info@partech.co.uk)